

Pressure Gauge Snubber - PGS Series

Overview

- ▶ Protect pressure gauges from damage caused by impulses.



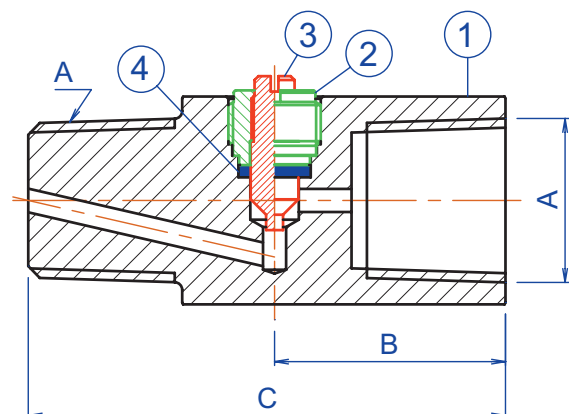
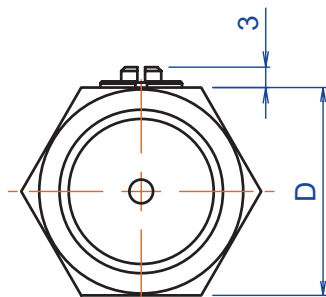
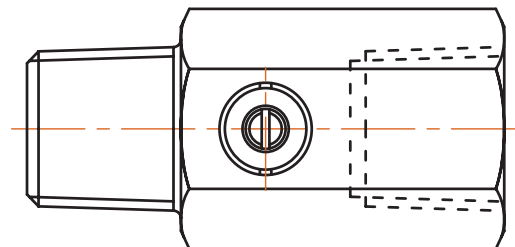
Ordering Information

PART NO.	CONNECTIONS		MATERIAL	SEAT	MAX. W.P.
	INLET	OUTLET			
PGSS4MF	1/4"NPT-MALE	1/4"NPT-FEMALE	316 SS	HARD	6000psi
PGSS8MF	1/2"NPT-MALE	1/2"NPT-FEMALE	316 SS	HARD	6000psi

Dimensions (mm)

Nominal Size A	B	C	D
1/4"NPT-M x F	25	52	27
1/2"NPT-M x F	30	62	27

All dimensions shown in the catalogue are approximate and subject to change.



Part Descriptions

Item	Descriptions	316 Valve
1	Body	316 S.S.
2	Bonnet	316 S.S.
3	Stem	316 S.S.
4	O-Ring	Viton®