

## Needle Valve - MPG Series

Square bar stock, hard seat

6000 psi

### Overview

- ▶ Available with an integral metal seat or optional with a soft seated type.
- ▶ Utilized to reduce the number of components and decrease the possible leak points.

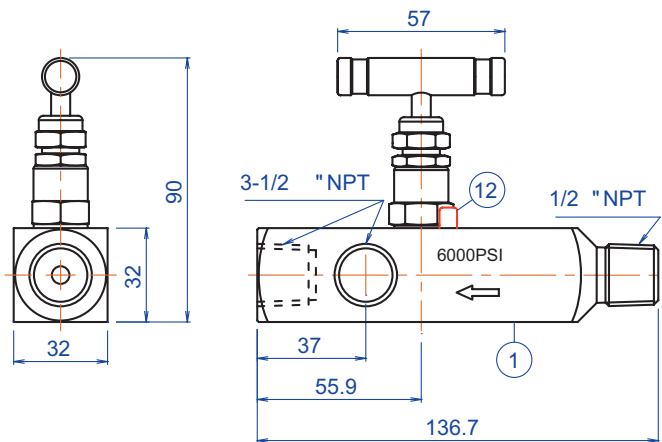
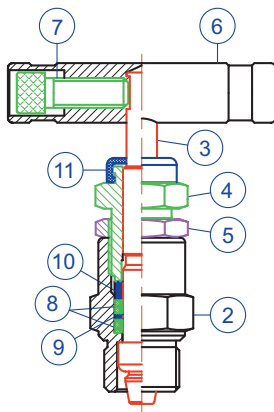


▶ **Option:**  
Delrin® Seat  
Bleed Valve  
Hex. Plug

### Ordering Information

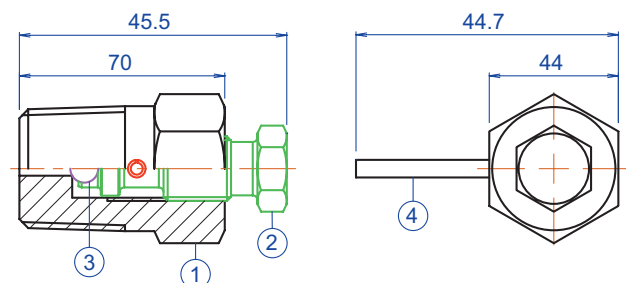
PART NO.	CONNECTIONS		MATERIAL	SEAT	MAX. W.P.
	INLET	OUTLET			
MPGVS8	1/2"NPT-MALE	3 X 1/2"NPT-FEMALE	316 SS	HARD	6000psi
MPGVS128	3/4"NPT-MALE	3 X 1/2"NPT-FEMALE	316 SS	HARD	6000psi
MPGVC8	1/2"NPT-MALE	3 X 1/2"NPT-FEMALE	Carbon Steel	HARD	6000psi
MPGVC128	3/4"NPT-MALE	3 X 1/2"NPT-FEMALE	Carbon Steel	HARD	6000psi

All dimensions shown in the catalogue are approximate and subject to change.



### Part Descriptions> Gauge Valve

Item	Descriptions	316 Valve	C.S. Valve
1	Body	316 S.S.	Carbon Steel
2	Bonnet	316 S.S.	Carbon Steel
3	Stem	316 S.S.	304 S.S.
4	Adjuster	316 S.S.	Carbon Steel
5	Lock Nut	316 S.S.	Carbon Steel
6	Handle	303 S.S.	Carbon Steel
7	Fixing Screw	302 S.S.	Carbon Steel
8	Packing	PTFE	PTFE
9	Washer	316 S.S.	316 S.S.
10	Pusher	316 S.S.	316 S.S.
11	Dust Cap	NBR	NBR
12	Lock Pin	303 S.S.	Carbon Steel



### Part Descriptions> Bleed Valve

Item	Descriptions	316 Valve	C.S. Valve
1	Body	316 S.S.	Carbon Steel
2	Bleed Screw	316 S.S.	Carbon Steel
3	Ball	316 S.S.	304 S.S.
4	Bleed Pin	304 S.S.	Carbon Steel