

## Needle Valve - BNV Series

Square bar stock, hard seat  
6000 psi

### Overview

- ▶ Compact design provides economical and long service life.
- ▶ Body to bonnet seal is metal to metal in constant compression, creating a reliable seal point to eliminate possible tensile breakage of bonnet and isolate bonnet threads from process fluid corrosion.



- ▶ **Option:**  
Panel Mountable Bleeding Screw

### Ordering Information

PART NO.	CONNECTIONS		MATERIAL	SEAT	MAX. W.P.
	INLET	OUTLET			
BNVS4MF	1/4"NPT-MALE	1/4"NPT-FEMALE	316 SS	HARD	6000psi
BNVS4FF	1/4"NPT-FEMALE	1/4"NPT-FEMALE	316 SS	HARD	6000psi
BNVS6MF	3/8"NPT-MALE	3/8"NPT-FEMALE	316 SS	HARD	6000psi
BNVS6FF	3/8"NPT-FEMALE	3/8"NPT-FEMALE	316 SS	HARD	6000psi
BNVS8MF	1/2"NPT-MALE	1/2"NPT-FEMALE	316 SS	HARD	6000psi
BNVS8FF	1/2"NPT-FEMALE	1/2"NPT-FEMALE	316 SS	HARD	6000psi
BNVC4MF	1/4"NPT-MALE	1/4"NPT-FEMALE	CARBON STEEL	HARD	6000psi
BNVC4FF	1/4"NPT-FEMALE	1/4"NPT-FEMALE	CARBON STEEL	HARD	6000psi
BNVC6MF	3/8"NPT-MALE	3/8"NPT-FEMALE	CARBON STEEL	HARD	6000psi
BNVC6FF	3/8"NPT-FEMALE	3/8"NPT-FEMALE	CARBON STEEL	HARD	6000psi
BNVC8MF	1/2"NPT-MALE	1/2"NPT-FEMALE	CARBON STEEL	HARD	6000psi
BNVC8FF	1/2"NPT-FEMALE	1/2"NPT-FEMALE	CARBON STEEL	HARD	6000psi

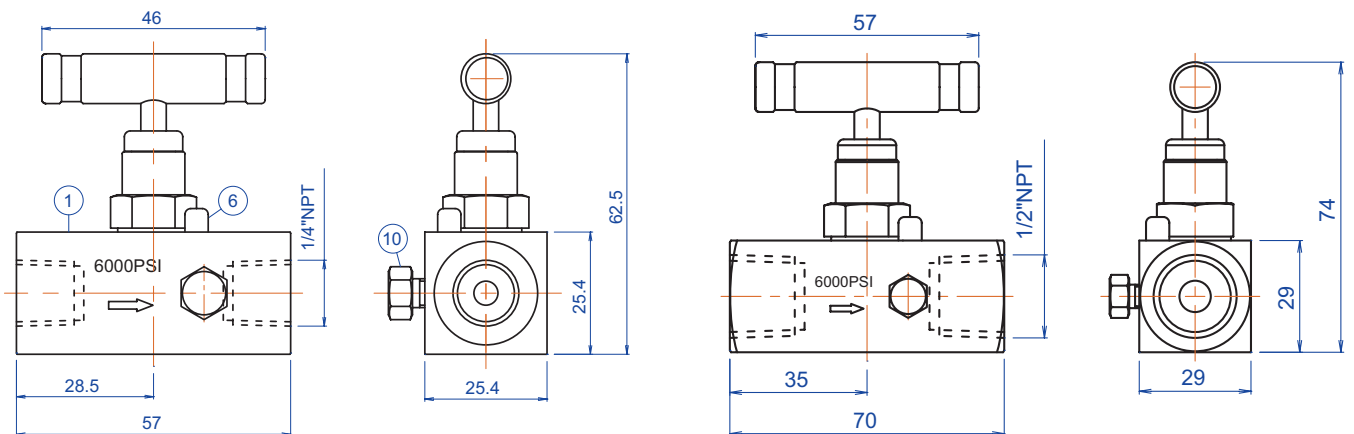
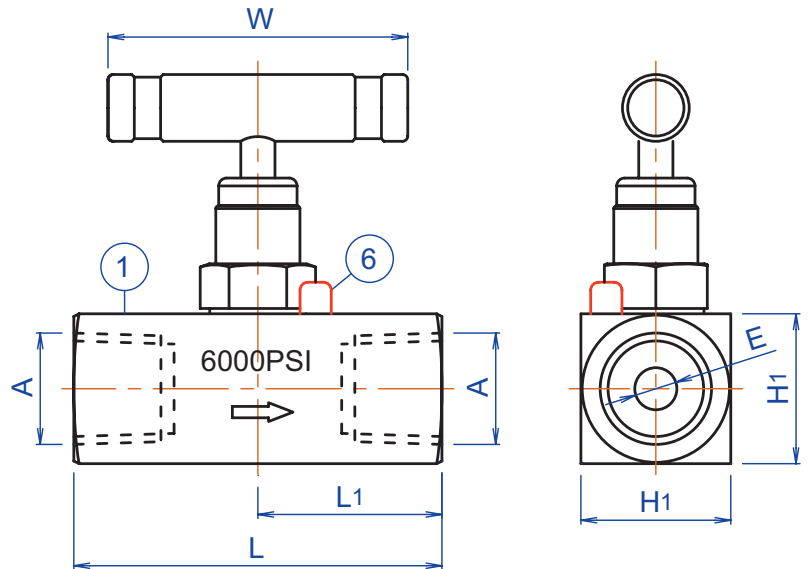
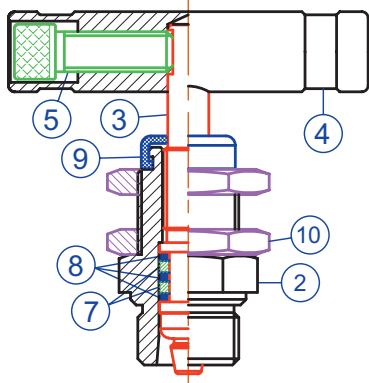
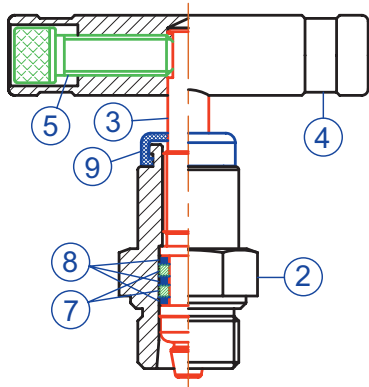
### Dimensions (mm)

Nominal Size A	L	L1	H	H1	E	W
1/4"NPT-M x F	57	27	64	19	3.2	46
1/4"NPT-F x F	57	28.5	64	19	3.2	46
3/8"NPT-F x F	65	31	70.5	25.4	4.5	57
3/8"NPT-F x F	62	31	70.5	25.4	4.5	57
1/2"NPT-M x F	74	35	74	29	4.5	57
1/2"NPT-F x F	70	35	74	29	4.5	57

All dimensions shown in the catalogue are approximate and subject to change.

## Needle Valve - BNV Series

Square bar stock, hard seat  
6000 psi



### Part Descriptions

Item	Descriptions	316 Valve	C.S. Valve
1	Body	316 S.S.	Carbon Steel
2	Bonnet	316 S.S.	Carbon Steel
3	Stem	316 S.S.	304 S.S.
4	Handle	303 S.S.	Carbon Steel
5	Fixing Screw	302 S.S.	Carbon Steel
6	Lock Pin	303 S.S.	Carbon Steel
7	O-Ring	Viton®	Viton®
8	Back-Up Ring	PTFE	PTFE
9	Dust Cap	NBR	NBR
10	Mountable Nuts	316 S.S.	304 S.S.