

Needle Valve - HBNV Series

Hex. bar stock, hard seat
6000 psi

Overview

- Produce a metal seat to withstand severe working conditions.



- **Option:**
Angle Valve
Bleeding Screw

Ordering Information

PART NO.	CONNECTIONS		MATERIAL	SEAT	MAX. W.P.
	INLET	OUTLET			
HBNVS8MF	1/2"NPT-MALE	1/2"NPT-FEMALE	316 SS	HARD	6000psi
HBNVS8FF	1/2"NPT-FEMALE	1/2"NPT-FEMALE	316 SS	HARD	6000psi
HBNVS12MF	3/4"NPT-MALE	3/4"NPT-FEMALE	316 SS	HARD	6000psi
HBNVS12FF	3/4"NPT-FEMALE	3/4"NPT-FEMALE	316 SS	HARD	6000psi
HBNVS16MF	1"NPT-MALE	1"NPT-FEMALE	316 SS	HARD	6000psi
HBNVS16FF	1"NPT-FEMALE	1"NPT-FEMALE	316 SS	HARD	6000psi
HBNVC8MF	1/2"NPT-MALE	1/2"NPT-FEMALE	CARBON STEEL	HARD	6000psi
HBNVC8FF	1/2"NPT-FEMALE	1/2"NPT-FEMALE	CARBON STEEL	HARD	6000psi
HBNVC12MF	3/4"NPT-MALE	3/4"NPT-FEMALE	CARBON STEEL	HARD	6000psi
HBNVC12FF	3/4"NPT-FEMALE	3/4"NPT-FEMALE	CARBON STEEL	HARD	6000psi
HBNVC16MF	1"NPT-MALE	1"NPT-FEMALE	CARBON STEEL	HARD	6000psi
HBNVC16FF	1"NPT-FEMALE	1"NPT-FEMALE	CARBON STEEL	HARD	6000psi

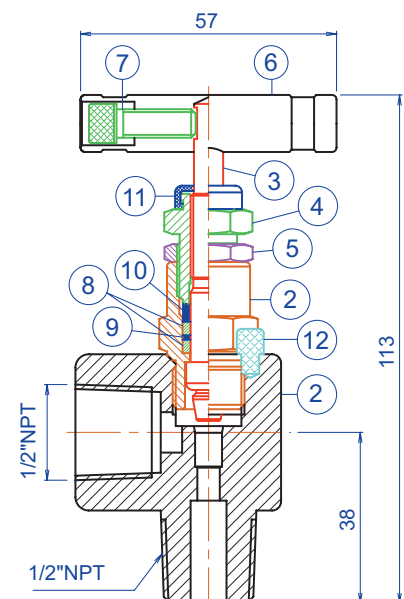
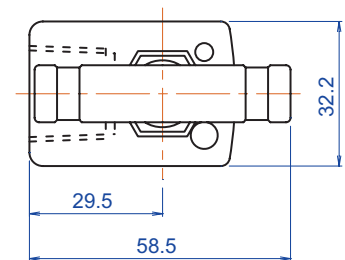
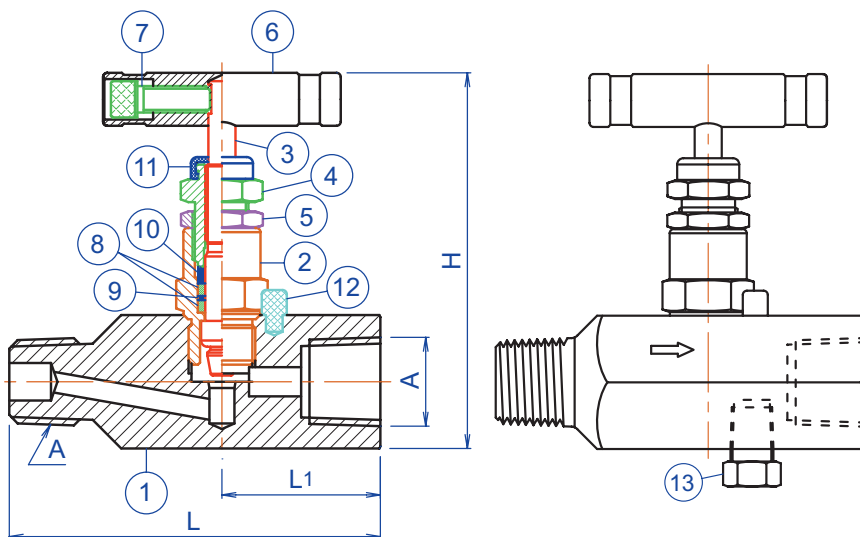
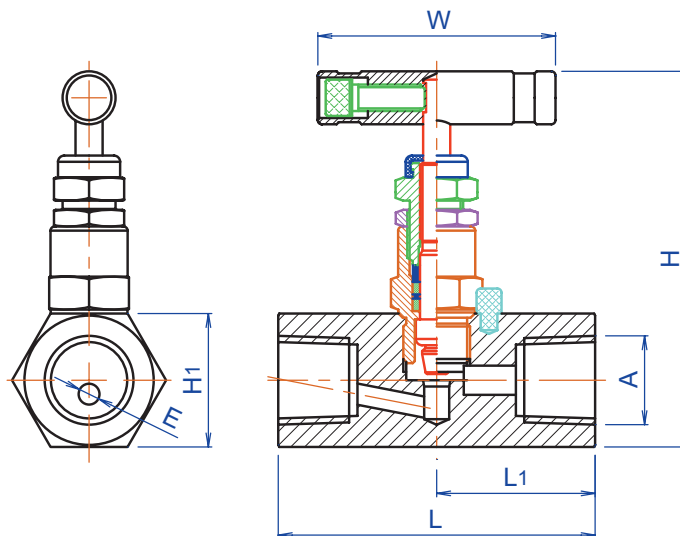
Dimensions (mm)

Nominal Size A	L	L1	H	H1	E	W
1/2"NPT-M x F	89	38	90	32	5	57
1/2"NPT-F x F	76	38	90	32	5	57
3/4"NPT-F x F	89	38	93	35	5.5	57
3/4"NPT-F x F	76	38	93	35	5.5	57
1"NPT-M x F	94	42.5	99	41	6	57
1"NPT-F x F	85	42.5	99	41	6	57

All dimensions shown in the catalogue are approximate and subject to change.

Needle Valve - HBNV Series

Hex. bar stock, hard seat
6000 psi



Part Descriptions

Item	Descriptions	316 Valve	C.S. Valve
1	Body	316 S.S.	Carbon Steel
2	Bonnet	316 S.S.	Carbon Steel
3	Stem	316 S.S.	304 S.S.
4	Adjuster	316 S.S.	Carbon Steel
5	Lock Nut	316 S.S.	Carbon Steel
6	Handle	303 S.S.	Carbon Steel
7	Fixing Screw	302 S.S.	Carbon Steel
8	Packing	PTFE	PTFE
9	Washer	316 S.S.	316 S.S.
10	Pusher	316 S.S.	316 S.S.
11	Dust Cap	NBR	NBR
12	Lock Pin	303 S.S.	Carbon Steel
13	Bleed Screw	316 S.S.	Carbon Steel