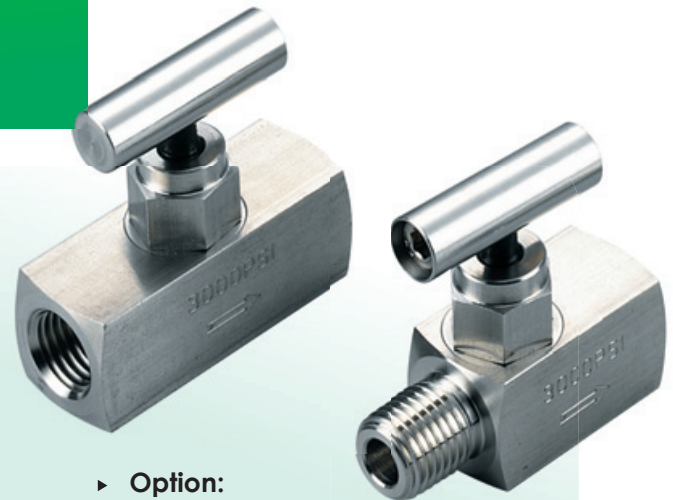


Mini Valves - MNV & MSNV Series

Square bar stock, hard & soft seat
3000 psi

Overview

- ▶ The MNV & MSNV series mini valves are intended to provide compact and economical installations.
- ▶ Low torque operating T bar handle on hard seat.
- ▶ Smooth operating knurled round handle on soft seat.
- ▶ When soft set becomes damaged, it can be removed and leave a metal seated valve to extend service life.



- ▶ **Option:**
Angle valve

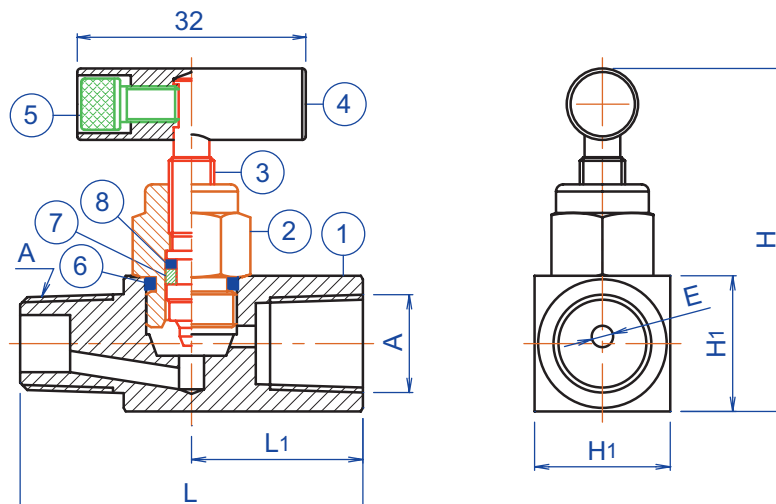
Ordering Information

PART NO.	CONNECTIONS		MATERIAL	SEAT	MAX. W.P.
	INLET	OUTLET			
MNVS4MF	1/4"NPT-MALE	1/4"NPT-FEMALE	316 SS	HARD	3000psi
MNVS4FF	1/4"NPT-FEMALE	1/4"NPT-FEMALE	316 SS	HARD	3000psi
MNVC4MF	1/4"NPT-MALE	1/4"NPT-FEMALE	CARBON STEEL	HARD	3000psi
MNVC4FF	1/4"NPT-FEMALE	1/4"NPT-FEMALE	CARBON STEEL	HARD	3000psi
MSNVS4MF	1/4"NPT-MALE	1/4"NPT-FEMALE	316 SS	SOFT	3000psi
MSNVS4FF	1/4"NPT-FEMALE	1/4"NPT-FEMALE	316 SS	SOFT	3000psi
MSNVC4MF	1/4"NPT-MALE	1/4"NPT-FEMALE	CARBON STEEL	SOFT	3000psi
MSNVC4FF	1/4"NPT-FEMALE	1/4"NPT-FEMALE	CARBON STEEL	SOFT	3000psi

Dimensions

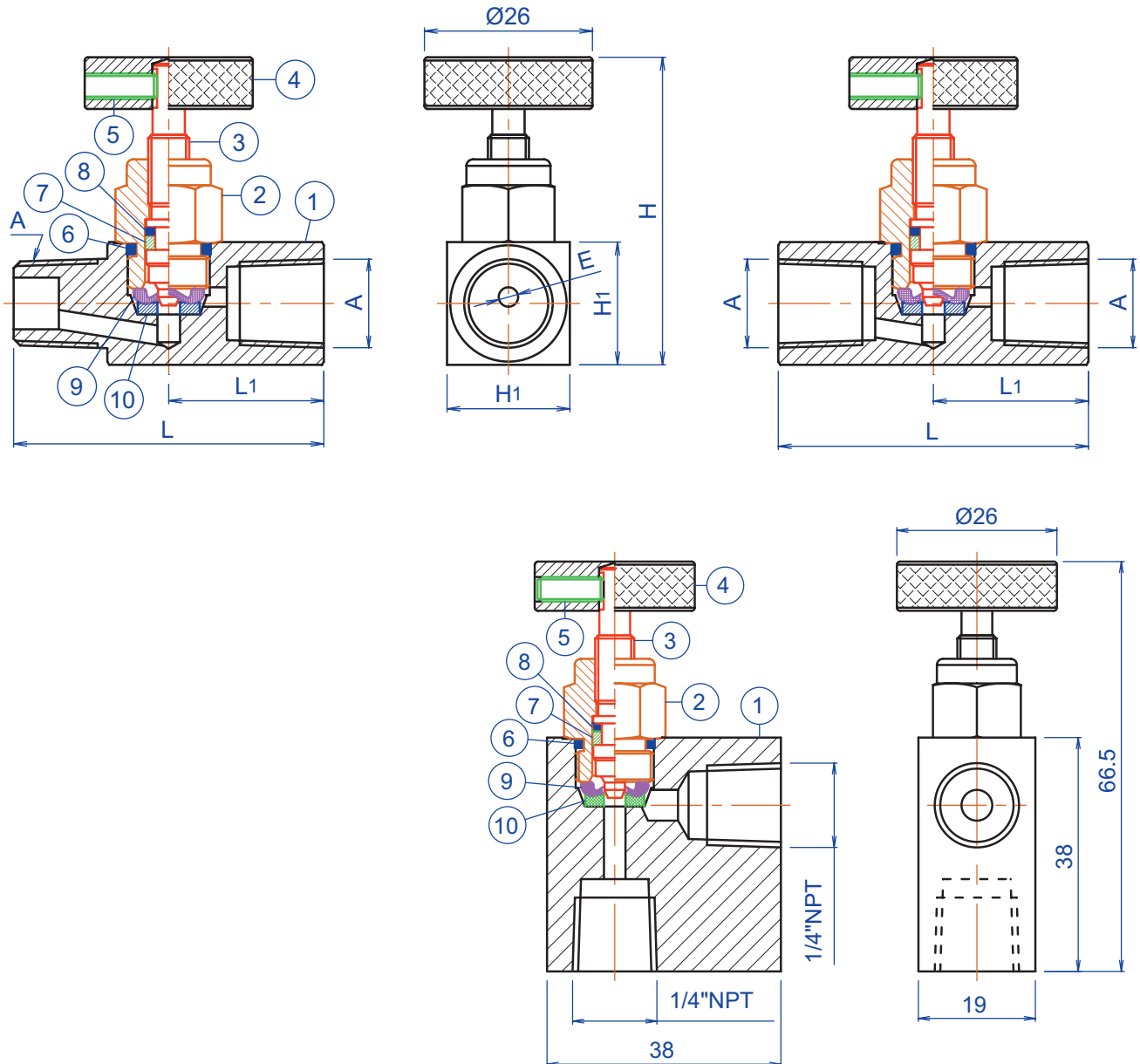
Nominal Size A	L	L1	H1	E
1/4"NPT-M x F	48	24	19	3
1/4"NPT-F x F	48	24	19	3

All dimensions shown in the catalogue are approximate and subject to change.



Mini Valves - MNV & MSNV Series

Square bar stock, hard & soft seat
3000 psi



Part Descriptions

Item	Descriptions	316 Valve	C.S. Valve
1	Body	316 S.S.	Carbon Steel
2	Bonnet	316 S.S.	Carbon Steel
3	Stem	316 S.S.	304 S.S.
4	Handle	303 S.S.	Carbon Steel
5	Fixing Screw	302 S.S.	Carbon Steel
6	O-Ring	Viton®	Viton®
7	O-Ring	Viton®	Viton®
8	Back-Up Ring	PTFE	PTFE
9	Washer	316 S.S.	316 S.S.
10	Soft Seat	Delrin®	Delrin®