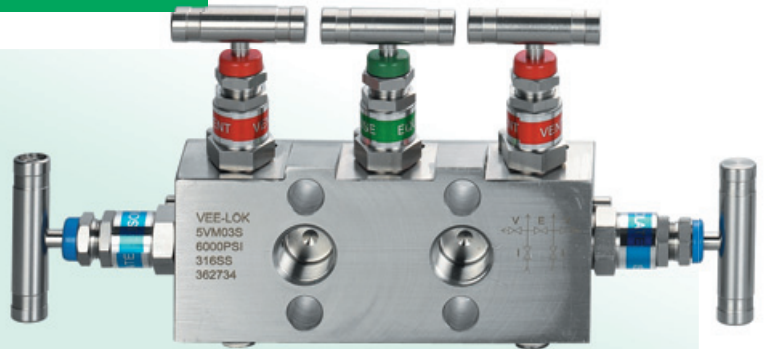


Valve Manifold - 5VM03 Series

Hard seat
6000 psi

Overview

- Designed for direct mounting to differential transmitters via standard instrument side flanged connections on 54mm centers. Process connections are 1/2"NPT threaded and drain connections on the bottom are plugged as standard.

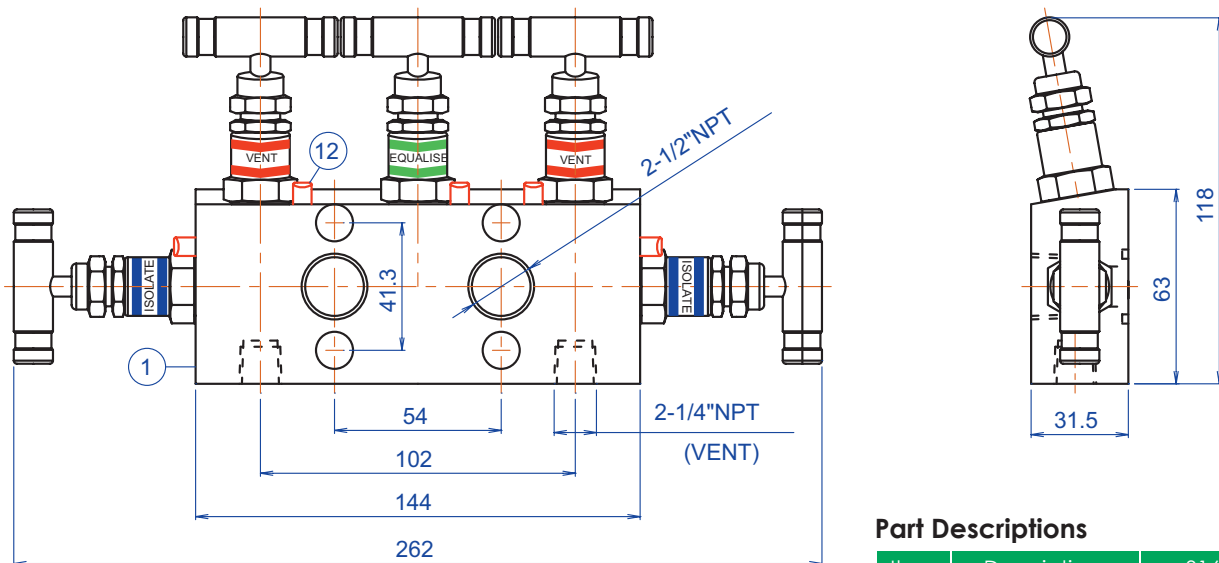


Ordering Information

PART NO.	CONNECTIONS		MATERIAL	SEAT	MAX. W.P.
	INLET	OUTLET			
5VM03S	1/2"NPT-FEMALE	Flanged	316 SS	Hard	6000psi

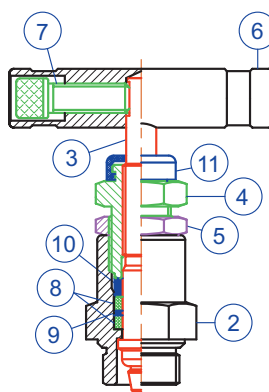
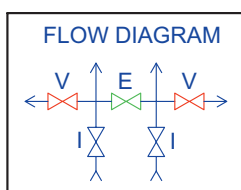
All dimensions shown in the catalogue are approximate and subject to change.

Dimensions (mm)



Part Descriptions

Item	Descriptions	316 Valve
1	Body	316 S.S.
2	Bonnet	316 S.S.
3	Stem	316 S.S.
4	Adjuster	316 S.S.
5	Lock Nut	316 S.S.
6	Handle	303 S.S.
7	Fixing Screw	302 S.S.
8	Packing	PTFE
9	Washer	316 S.S.
10	Pusher	316 S.S.
11	Dust Cap	NBR
12	Lock Pin	303 S.S.

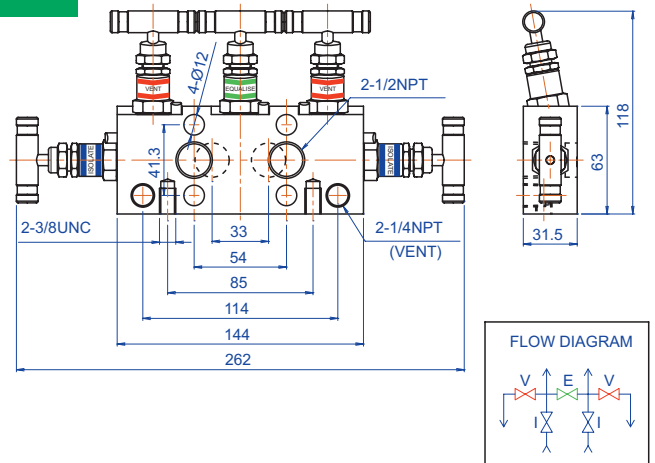


Valve Manifold - 5VM05 Series

Hard seat
6000 psi

Overview

- Specially designed for mounting to the 3051 series of differential pressure transmitters with outlets positioned to avoid the use of the converter flange.
- Inlet connections are on 54mm.
- The manifolds are not supplied with PTFE sealing rings.



Ordering Information

PART NO.	CONNECTIONS		MATERIAL	SEAT	MAX. W.P.
	INLET	OUTLET			
5VM05S	1/2"NPT-FEMALE	For 3051	316 SS	Hard	6000psi

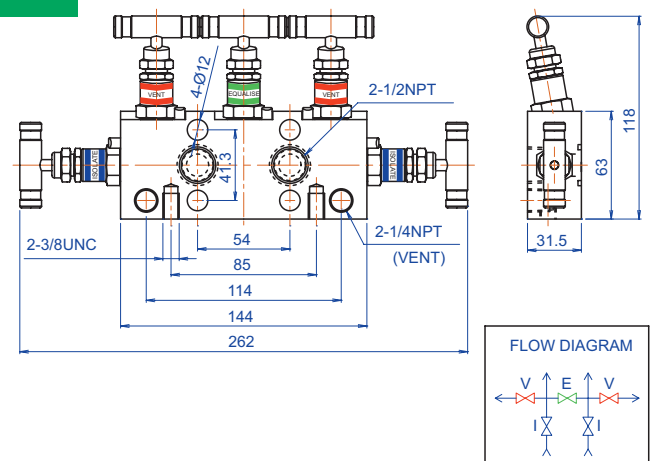
All dimensions shown in the catalogue are approximate and subject to change.

Valve Manifold - 5VM06 Series

Hard seat
6000 psi

Overview

- Designed for direct mounting to differential transmitters via standard instrument side flanged connections on 54mm centers.



Ordering Information

PART NO.	CONNECTIONS		MATERIAL	SEAT	MAX. W.P.
	INLET	OUTLET			
5VM06S	1/2"NPT-FEMALE	Flanged	316 SS	Hard	6000psi

All dimensions shown in the catalogue are approximate and subject to change.