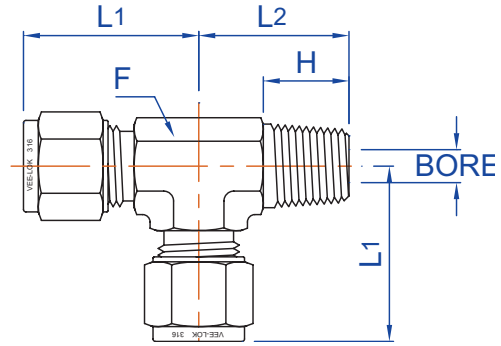


VEE-LOK Tube Fitting

MALE RUN TEE



TUBE O.D.	MALE THREAD	PART NO.	L1	L2	H	F	BORE
INCHES							
1/8	1/8	MRT2-2	0.92	0.71	0.38	1/2	0.09
1/8	1/4	MRT2-4	0.98	1.00	0.56	1/2	0.09
1/4	1/8	MRT4-2	1.06	0.74	0.38	1/2	0.20
1/4	1/4	MRT4-4	1.07	1.00	0.56	1/2	0.20
5/16	1/8	MRT5-2	1.17	0.82	0.38	5/8	0.20
3/8	1/4	MRT6-4	1.20	1.01	0.56	5/8	0.28
3/8	3/8	MRT6-6	1.31	1.12	0.56	5/8	0.28
1/2	3/8	MRT8-6	1.42	1.12	0.56	13/16	0.38
1/2	1/2	MRT8-8	1.43	1.31	0.75	7/8	0.41
5/8	1/2	MRT10-8	1.43	1.38	0.75	1	0.47
3/4	3/4	MRT12-12	1.56	1.50	0.75	1	0.61
1	3/4	MRT16-12	1.94	1.66	0.75	1-3/8	0.61
1	1	MRT16-16	1.94	1.84	0.94	1-3/8	0.86

TUBE O.D.	MALE THREAD	PART NO.	L1	L2	H	F	BORE
MILLIMETERS							
6	1/8	MMRT6-2	27.00	18.00	9.70	1/2	5.00
6	1/4	MMRT6-4	27.00	23.40	14.20	1/2	5.00
8	1/8	MMRT8-2	29.90	20.80	9.70	5/8	5.00
8	1/4	MMRT8-4	29.90	25.40	14.20	5/8	6.50
10	1/4	MMRT10-4	33.50	28.20	14.20	11/16	7.10
10	1/2	MMRT10-8	33.50	33.00	19.00	7/8	7.90
12	1/4	MMRT12-4	36.00	28.20	14.20	13/16	7.10
12	3/8	MMRT12-6	36.00	28.20	14.20	13/16	9.50
12	1/2	MMRT12-8	36.00	33.00	19.00	7/8	9.50
16	1	MMRT16-16	46.60	46.50	23.90	1-3/8	12.70

Dimensions for reference only, subject to change without prior notice