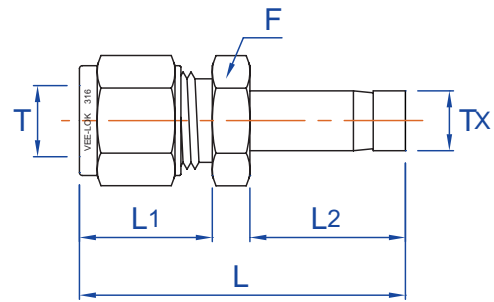


VEE-LOK Tube Fitting

REDUCER

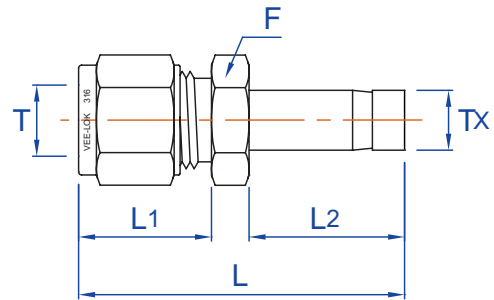


T TUBE O.D.	TX TUBE O.D.	PART NO.	L	L1	L2	F	BORE
INCHES							
1/8	1/8	R2-2	1.34	0.43	0.54	7/16	0.08
1/8	1/4	R2-4	1.45	0.70	0.53	7/16	0.09
1/4	1/8	R4-2	1.42	0.60	0.63	1/2	0.08
1/4	1/4	R4-4	1.54	0.70	0.63	1/2	0.17
1/4	3/8	R4-6	1.63	0.76	0.63	1/2	0.19
1/4	1/2	R4-8	1.77	0.87	0.63	9/16	0.19
3/8	1/4	R6-4	1.60	0.70	0.69	5/8	0.17
3/8	3/8	R6-6	1.70	0.76	0.69	5/8	0.27
3/8	1/2	R6-8	1.84	0.87	0.69	5/8	0.28
1/2	1/4	R8-4	1.82	0.70	0.91	13/16	0.17
1/2	3/8	R8-6	1.91	0.76	0.91	13/16	0.27
1/2	3/4	R8-12	2.15	0.87	0.91	13/16	0.41
3/4	1/2	R12-8	2.12	0.87	0.97	1-1/16	0.37

Dimensions for reference only, subject to change without prior notice

VEE-LOK Tube Fitting

REDUCER



T TUBE O.D.	TX TUBE O.D.	PART NO.	L	L1	L2	F	BORE
MILLIMETERS							
6	8	MR6-8	40.00	18.60	15.90	14	5.00
6	10	MR6-10	41.70	19.50	15.90	14	5.00
6	12	MR6-12	44.90	22.00	15.90	14	5.00
8	6	MR8-6	40.00	17.70	16.70	15	4.10
8	10	MR8-10	43.40	19.50	15.30	15	6.50
10	6	MR10-6	40.80	17.70	17.50	18	4.10
10	8	MR10-8	42.00	18.60	17.50	18	5.60
10	12	MR10-12	46.60	22.00	17.50	18	7.90
12	6	MR12-6	46.40	17.70	23.00	22	4.10
12	8	MR12-8	47.60	18.60	23.00	22	5.60
12	10	MR12-10	49.70	19.50	23.00	22	7.10
12	16	MR12-16	53.00	22.00	23.00	22	9.50
12	18	MR12-18	54.60	22.00	23.00	22	9.50
16	12	MR16-12	53.80	22.00	24.60	24	8.80
18	12	MR18-12	53.80	22.00	24.60	27	8.80
18	16	MR18-16	54.70	22.00	24.80	27	12.00
18	20	MR18-20	57.90	22.00	24.60	27	15.00
18	25	MR18-25	63.10	26.50	24.60	27	15.00
20	16	MR20-16	55.30	22.00	25.60	30	12.00
20	18	MR20-18	57.60	22.00	25.40	30	13.90
20	25	MR20-25	64.50	26.50	25.40	30	16.00
22	18	MR22-18	56.10	22.00	26.20	30	13.90
22	20	MR22-20	57.70	22.00	26.20	30	15.50
25	12	MR25-12	60.90	22.00	31.80	35	18.00
25	18	MR25-18	62.50	22.00	31.80	35	13.90
25	20	MR25-20	64.20	22.00	31.80	35	15.50

Dimensions for reference only, subject to change without prior notice