

Filter

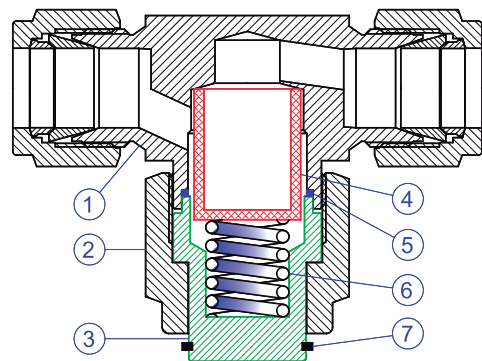
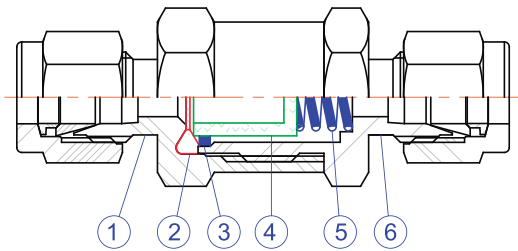
F Series
TF Series



Features

- Traps fine particles to maintain system purity
- Compact in-line design for limited space
- Replaceable sintered 316 stainless steel filter element available in 1,5,10 and 50 microns
- Maximum working pressure 3000 psi @100°F (206 bar @38°C)
- Replaceable sintered elements are available in 0.5, 2,7, 15 and 60 microns
- Tee type filter element can be replaced without removing body from system.
- Optional Bypass for sampling or purging of process fluid

Material of Construction

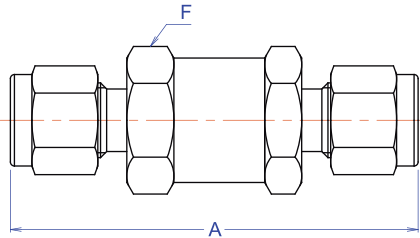


No.	Component	Material
1	Cap	316 SS/A479
2	Seal	Viton
3	Guide Ring	PTFE
4	Sintered Element	316 SS
5	Spring	302 SS
6	Body	316 SS/A479

No.	Component	Material
1	Body	316 SS/A479
2	Nut	316 SS/A479
3	Cap	316 SS/A479
4	Sintered Element	316 SS
5	Gasket	316 SS/silver plated
6	Spring	302 SS
7	Retainer Ring	Stainless steel

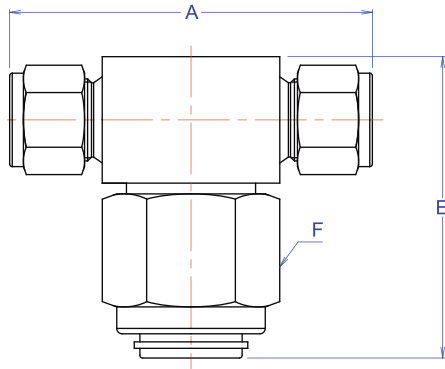
Dimensions

F Series



Ordering No.	End Connection		Dimensions (mm)	
	Inlet/Outlet	Size	A	F
F01S2OD-□	VEE-LOK tube fitting	1/8"	55.7	19
F01S4OD-□	VEE-LOK tube fitting	1/4"	61.5	19
F01S6OD-□	VEE-LOK tube fitting	6mm	61.5	19
F01S2MM-□	Male NPT	1/8"	46.5	19
F01S2FF-□	Female NPT	1/8"	51.0	19
F01S4MM-□	Male NPT	1/4"	55.5	19
F01S4FF-□	Female NPT	1/4"	61.0	19

TF Series



Ordering No.	End Connection		Dimensions (mm)		
	Inlet/Outlet	Size	A	E	F
TF01S2OD-□	VEE-LOK tube fitting	1/8"	62.4	55.9	28.6
TF01S4OD-□	VEE-LOK tube fitting	1/4"	68.2	55.9	28.6
TF01S6OD-□	VEE-LOK tube fitting	3/8"	72.1	55.9	28.6
TF01S8OD-□	VEE-LOK tube fitting	1/2"	77.2	55.9	28.6
TF01SM6OD-□	VEE-LOK tube fitting	6mm	68.2	55.9	28.6
TF01SM8OD-□	VEE-LOK tube fitting	8mm	72.1	55.9	28.6
TF01SM10OD-□	VEE-LOK tube fitting	10mm	72.6	55.9	28.6
TF01SM12OD-□	VEE-LOK tube fitting	12mm	77.2	55.9	28.6
TF01S4MM-□	Male NPT	1/4"	62	55.9	28.6
TF01S4FF-□	Female NPT	1/4"	62	55.9	28.6
TF01S8MM-□	Male NPT	1/2"	69.9	55.9	28.6

Sintered Elements

- Add an element designator to the basic ordering number.

Example: TF01S8OD-60

Nominal Pore Size μm	Pore Size Range μm	Element Designator
0.5	0.5 to 2	05
2	1 to 4	2
7	5 to 10	7
15	11 to 25	15
60	50 to 75	60

Ordering Information

F01	S	4	FF	10
TF01				
Series	Body Material	Size	End Connection	Sintered Element
	S 316 S.S.	2 1/8"	OD VEE-LOK tube fitting	0.5 μm 05
		4 1/4"	MM Male-Male NPT	2 μm 2
		6 3/8"	FF Female-Female NPT	7 μm 7
		8 1/2"		15 μm 15
		M6 6mm		60 μm 60
		M12 12mm		



The selection of a filter for any application or system design must be considered to ensure safe performance. Filter function, rating, material compatibility, proper installation, operation and maintenance remain the responsibilities of the system designer and user.